



Quiet entrance doors to your apartment

otium
by **mikea**

Door OTIUM

APPLICATION:

In residential and public buildings as an entrance door (does not apply to the „80N“ width).

AVAILABLE WIDTHS:

Single leaf: 80, 80N, 90

VARIANTS OF THE DOOR FRAMES:

Wooden (soft): veneered in the color of the wing with aluminum sash with a spacer.

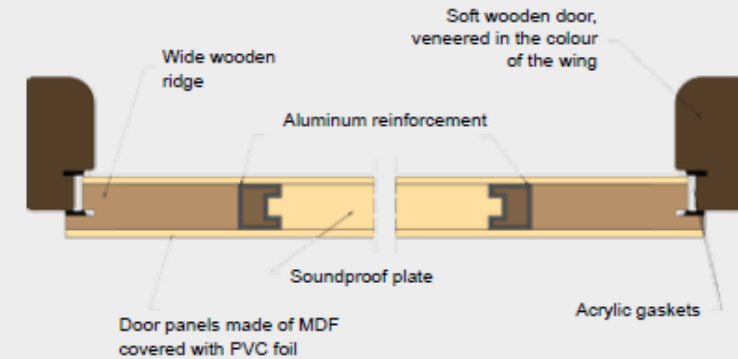
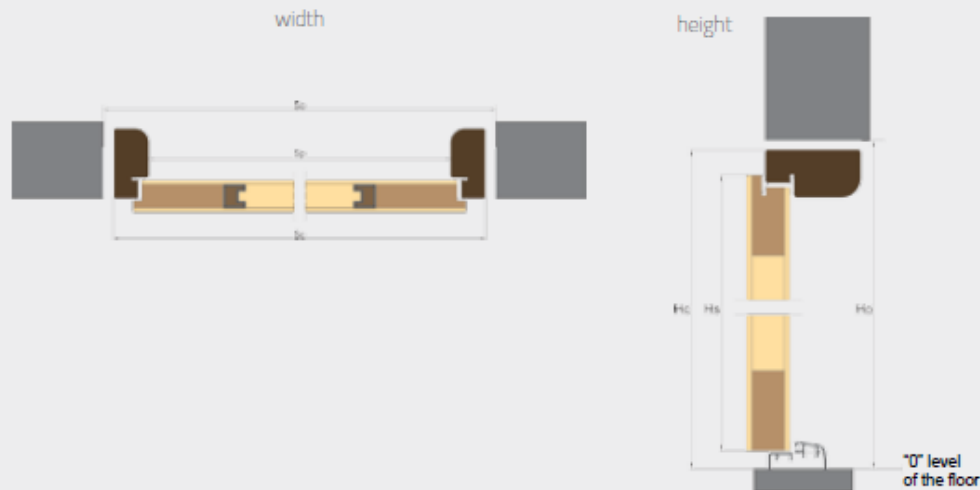
The door is delivered as a composite with a doorstep. There are additionally drilled openings under the handle in the version with fittings.

Optional Equipment (at extra charge):

- Metal hinged covers
- Digital viewfinders
- Handles and inserts patent to choose from the offer
- Ability to shorten to the desired dimension, up to 13 cm, with a 8 to 13 cm double charge for shortcut
- Door closer



DIMENSIONS OF DOORS AND ASSEMBLY HOLES / SECTIONAL DOORS



LEAF:

- stile laminated wood covered with two MDF boards with a thickness of 6 mm
- filling with a special soundproofing plate
- Aluminum reinforcement profiles
- Leaf thickness 46 mm
- additional seal in the leaf
- Hidden connectors of decorative material
- Unique veneering technology without joining on the edge of the rebate

FRAME:

- Soft wood veneered in leaf color, with aluminum threshold and gasket

FINISH:

- PVC wood-veneer
- 2 seals (in leaf and frame)
- 3 adjustable two pivot hinges in three planes
- 2 Independent patent locks
- 3 Anti-weight bolts

Door width [cm]	„90“	„80“	„80N“
Wing height Wh [mm]	2030	2030	2030
Opening width Ow [mm]	900	800	750
Total door frame height Dfh [mm]	2080	2080	2080
Total door frame width Dfw [mm]	1000	900	850
Minimal wall opening height Oh [mm]	2090	2090	2090
Minimal wall opening width [mm]	1020	920	870

SAMPLE CONFIGURATIONS OF DOORS



OTIUM 2



OTIUM 21



OTIUM 27



OTIUM 41



OTIUM 47

otium
by **mikea**

MIKEA – DOORS FACTORY

Mikołowska 112
43-100 Tychy, Poland
Secretariat: +48 32 / 218 03 72 / 73
Customer service office: +48 32 / 218 03 71
Fax: +48 32 / 218 03 70
E-mail: office@mikea.eu

This document does not constitute an offer as defined in the law and is only of an informative nature. The manufacturer reserves his right to the changes.

www.mikea.eu